

PRICE LIST

Effective : 11th June 2021

ENCLOSURES



BCH

BCH
ELECTRIC
LIMITED



Modern facilities at Faridabad & Rudrapur

Our Strengths

- ◆ State-of-the-art product development and R&D
- ◆ Modern manufacturing facilities
- ◆ Tool room with latest facilities
- ◆ Serving customers for five decades
- ◆ Presence in ~50 locations
- ◆ 650 channel partners
- ◆ ISO 14001:2015 and ISO 9001:2015 certified company

Core Values

- ◆ Integrity
- ◆ Nurturing People
- ◆ Commitment to Customers
- ◆ Striving for Excellence
- ◆ Long Term Thinking

Quality Policy

We as a member of BCH Electric Limited manufacturer of Low Voltage Switchgear & Controlgear products, are fully committed to provide Quality products and service in compliance with applicable Statutory and Regulatory requirements, to meet or exceed the customer need and expectations through -

- ◆ Continual improvement
- ◆ Involvement of employees
- ◆ Setting Quality objectives
- ◆ Training and development of employees

Health & Safety Policy

We as a member of BCH Electric Limited manufacturer of Low Voltage Switchgear & Controlgear products, are fully committed to conduct Business in compliance to applicable Health & Safety legislation and regulation.

We shall continually improve through -

- ◆ Provide Safe & Healthy working conditions for the prevention of work related injury and ill health.
- ◆ Develop & maintain the Health & Safety objectives & targets and conduct health & safety programs for achieving the objectives and target.
- ◆ The prevention of accidents through the identification, assessment and elimination of workplace hazards and the promotion of health & safety awareness among its employees and contractors.
- ◆ Encourage employee's participation and consultation in matters affecting the health, safety and well being of our people and seek suggestions from our employees of ways in which health, safety & well being can be furthered.

The Health & safety policy is publicly available on request.

Environmental Policy

We as a member of BCH Electric Limited manufacturer of Low Voltage Switchgear & Controlgear products, are fully committed to conduct Business in compliance to applicable Environmental legislation and regulation.

We shall continually improve through -

- ◆ Provide a framework for setting and reviewing environmental objectives and targets.
- ◆ Regularly review the impact of our activities on environment and strive to reduce the pollution/waste.
- ◆ Involve employees in our environmental program and provide necessary training to enable them to discharge their responsibilities towards environment management.
- ◆ Sustain the program of continual improvement in environment in environmental performance incorporating suitable metrics and monitoring.

The Environment policy is publicly available on request.



www.bchindia.com

Enclosure Systems BCH

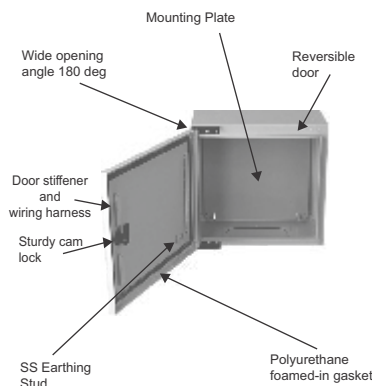
Bhartia Boxes

HSN Code : 8538



- 51 Different Versions
- Single/Double door versions
- Min. Size : 200 X 200 X 150
- Max Size : 1200 X 1400 X 400
- Degree of protection IP55/IP66/IK10
- CE Certified

Double door version



Technical Particulars (BHARTIA BOXES)

- Fabricated from 1.2mm / 1.6mm CRCA sheet steel (Sizes upto BIL-50180 made from 1.2mm CRCA, beyond this using 1.6mm CRCA)
 - Foamed-in PU gasket
 - Hinged door, interchangeable LHS / RHS, opening angle 180 deg for standard hinge & 120 deg for concealed hinge in bigger sizes.
 - Degree of protection IP55/IP66/IK10
 - CE Certified
 - Cable gland plate 2mm thick provided at bottom
 - Cam locking arrangement
 - Powder coated to RAL : 7035 structure finish
 - Mounting Plate made up of 2.0mm Galvanised steel
- Note : Cutout charges will be extra
: Wall mounting bracket set is an additional accessory (for Bhartia Box & Terminal box it is not a part of standard packing)

HSN Code : 8538

Type	Cat. No.	MOQ	List Price [₹]
Set of Wall Mounting bracket (small)	BIL-WM-S	1	165
Set of Wall Mounting bracket (big)	BIL-WM-B	1	185
Set of Wall Mounting bracket Kit 20mm	BIL-WM-H20	1	280

Note :

- * Set of wall mounting bracket (small) is suitable for all range of terminal boxes and Bhartia boxes upto size : 400x500x200mm.
- * Set of wall mounting bracket (big) is suitable for Bhartia boxes beyond size : 400x500x200mm.

Effective from 11.06.2021

Type	Size (WxHxD) mm	IP-55 Range			IP-66 Range	
		MOQ Nos.	Cat. No.	List Price [₹]	Cat. No.	List Price [₹]
SINGLE DOOR BOX	200x200x150	1	BIL-50000	2730	BIL-60000	2865
SINGLE DOOR BOX	200x300x150	1	BIL-50010	3125	BIL-60010	3190
SINGLE DOOR BOX	250x300x150	1	BIL-50020	3245	BIL-60020	3345
SINGLE DOOR BOX	300x300x150	1	BIL-50030	3500	BIL-60030	3640
SINGLE DOOR BOX	300x300x200	1	BIL-50050	3730	BIL-60050	3950
SINGLE DOOR BOX	300x400x150	1	BIL-50060	3890	BIL-60060	4095
SINGLE DOOR BOX	300x400x200	1	BIL-50080	4365	BIL-60080	4395
SINGLE DOOR BOX	400x300x150	1	BIL-50090	3810	BIL-60090	4040
SINGLE DOOR BOX	400x300x200	1	BIL-50110	4275	BIL-60110	4340
SINGLE DOOR BOX	400x400x150	1	BIL-50120	4365	BIL-60120	4445
SINGLE DOOR BOX	400x400x200	1	BIL-50140	4625	BIL-60140	4770
SINGLE DOOR BOX	400x500x150	1	BIL-50150	4925	BIL-60150	5185
SINGLE DOOR BOX	400x500x200	1	BIL-50170	5220	BIL-60170	5365
SINGLE DOOR BOX	500x500x200	1	BIL-50180	6155		
SINGLE DOOR BOX	400x600x200	1	BIL-50190	6155	BIL-60190	6240
SINGLE DOOR BOX	500x600x200	1	BIL-50210	7060	BIL-60210	7275
SINGLE DOOR BOX	500x700x200	1	BIL-50220	8030		
SINGLE DOOR BOX	500x700x300	1	BIL-50230	9235		
SINGLE DOOR BOX	600x400x200	1	BIL-50240	6270	BIL-60240	6505
SINGLE DOOR BOX	600x400x300	1	BIL-50250	8060		
SINGLE DOOR BOX	600x500x200	1	BIL-50260	7275	BIL-60260	7860
SINGLE DOOR BOX	600x600x200	1	BIL-50270	7570		
SINGLE DOOR BOX	600x600x300	1	BIL-50280	9095		
SINGLE DOOR BOX	600x700x200	1	BIL-50290	9120		
SINGLE DOOR BOX	600x800x200	1	BIL-50300	9150		
SINGLE DOOR BOX	600x800x300	1	BIL-50320	10465		
SINGLE DOOR BOX	600x1000x200	1	BIL-50330	11530		
SINGLE DOOR BOX	600x1000x300	1	BIL-50340	13085		
SINGLE DOOR BOX	800x800x300	1	BIL-50310	12205		
SINGLE DOOR BOX	800x1000x200	1	BIL-50350	13590		
SINGLE DOOR BOX	800x1000x250	1	BIL-50360	13875		
SINGLE DOOR BOX	800x1000x300	1	BIL-50390	14035		
SINGLE DOOR BOX	800x1200x300	1	BIL-50395	17490		
DOUBLE DOOR BOX	1000x800x200	1	BIL-50500	14665		
DOUBLE DOOR BOX	1000x800x300	1	BIL-50520	16820		
DOUBLE DOOR BOX	1000x1000x300	1	BIL-50540	19560		
DOUBLE DOOR BOX	1000x1200x300	1	BIL-50550	22485		
DOUBLE DOOR BOX	1000x1400x300	1	BIL-50560	26900		
DOUBLE DOOR BOX	1200x1400x300	1	BIL-50570	29905		
DOUBLE DOOR BOX	1000x1400x400	1	BIL-50580	28360		
DOUBLE DOOR BOX	1200x1400x400	1	BIL-50590	31215		

MOQ. Minimum order quantity in nos.

Canopy for Bhartia Boxes

HSN Code : 8538

Size (WxHxD) mm	Cat. No.	MOQ Nos.	List Price [₹]	Size (WxHxD) mm	Cat. No.	MOQ Nos.	List Price [₹]
200WX150D	BIL-12-CAN-2015	1	715	600WX200D	BIL-16-CAN-6020	1	1375
250WX150D	BIL-12-CAN-2515	1	815	600WX300D	BIL-16-CAN-6030	1	1685
300WX150D	BIL-12-CAN-3015	1	865	800WX300D	BIL-16-CAN-8030	1	2060
300WX200D	BIL-12-CAN-3020	1	950	800WX200D	BIL-16-CAN-8020	1	1665
400WX150D	BIL-12-CAN-4015	1	985	800WX250D	BIL-16-CAN-8025	1	1800
400WX200D	BIL-12-CAN-4020	1	1090	1000WX200D	BIL-16-CAN-1020	1	1960
500WX200D	BIL-12-CAN-5020	1	1230	1000WX300D	BIL-16-CAN-1030	1	2410
500WX300D	BIL-12-CAN-5030	1	1515				

*List Prices are Ex-works Faridabad. For detail refer Enclosure Selling Terms & Conditions.

*GST to be charged extra



Enclosure Systems BCH



- Fabricated from 1.2/1.5 mm stainless steel sheet
- Mounting Plate made up of 2.0mm Galvanised steel
- SS grade 304
- Foamed - in PU gasket
- Box upto BIL - 90405020 is made up of 1.2 mm SS & above of 1.5 MM SS.
- 120 deg door open-able concealed hinge door with cam locking arrangement.

'BCH - SS' (Stainless Steel)

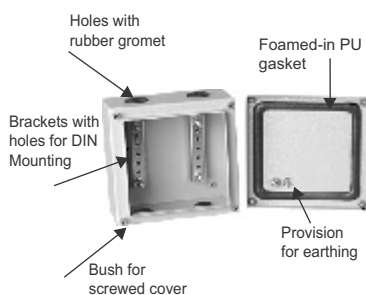
HSN Code : 8538

Type	Size (WxHxD) mm	MOQ Nos.	Cat No.	List Price [₹]
SINGLE DOOR BOX	200X300X150	3	BIL-90203015	5890
SINGLE DOOR BOX	300X300X200	3	BIL-90303020	8165
SINGLE DOOR BOX	400X400X200	3	BIL-90404020	10800
SINGLE DOOR BOX	400X500X200	3	BIL-90405020	12030
SINGLE DOOR BOX	400X600X200	3	BIL-90406020	13790
SINGLE DOOR BOX	500X600X200	3	BIL-90506020	17665
SINGLE DOOR BOX	600X600X200	3	BIL-90606020	18895
SINGLE DOOR BOX	600X800X200	3	BIL-90608020	22455
SINGLE DOOR BOX	500X700X300	3	BIL-90507030	22815
SINGLE DOOR BOX	800X800X300	3	BIL-90808030	31405

MOQ - Minimum order quantity in nos.
Note - SS grade 304



- 43 Different Versions
- Min. Size : 150 X 150 X 80
- Max Size : 800 X 400 X 120
- Degree of protection IP55/IP66/IK10
- CE Certified



Technical Particulars (TERMINAL BOXES)

- Fabricated from 1.2mm CRCA sheet steel
- Powder coated to shade RAL 7035 Structure finish
- Foamed-in PU gasket
- Provided with screwed cover on top
- Degree of protection IP55/IP66/IK10
- CE Certified
- Brackets provided inside to facilitate DIN rail mounting
- Holes with Gromet provided to facilitate cable entry in IP 55 terminal boxes

Note: Cutout charges will be extra

Terminal Boxes

HSN Code : 8538

Box Size (W x H x D)	IP-55 Range			IP-66 Range	
	MOQ	Cat. No.	List Price [₹]	Cat. No.	List Price [₹]
150x150x80	5	BIL-70000	1355	BIL-80000	1400
200x150x80	-			BIL-80100	1540
300x150x80	5	BIL-70010	1595	BIL-80010	1780
200x200x80	5	BIL-70020	1525	BIL-80020	1620
300x200x80	5	BIL-70030	1665	BIL-80030	1735
400x200x80	-			BIL-80110	1850
600x200x80	-			BIL-80130	2525
150x150x120	5	BIL-70040	1500	BIL-80040	1595
200x150x120	-			BIL-80150	1650
300x150x120	5	BIL-70050	1780	BIL-80050	1815
200x200x120	5	BIL-70060	1735	BIL-80060	1780
300x200x120	5	BIL-70070	1930	BIL-80070	1970
400x200x120	5	BIL-70080	2165	BIL-80080	2240
300x300x120	5	BIL-70090	2305	BIL-80090	2395
400x150x120	-			BIL-80170	2140
400x300x120	5	BIL-70180	2550	BIL-80180	2865
400x400x120	5	BIL-70190	3005	BIL-80190	3245
500x200x120	5	BIL-70200	2635	BIL-80200	2815
500x300x120	5	BIL-70210	2925	BIL-80210	3095
600x200x120	5	BIL-70220	2945	BIL-80220	3105
600x300x120	5	BIL-70230	3600	BIL-80230	3750
600x400x120	5	BIL-70240	3950	BIL-80240	4085
800x200x120	5	BIL-70250	4160	BIL-80250	4300
800x400x120	5	BIL-70260	5065	BIL-80260	5165

MOQ-Minimum order quantity in nos.

*List Prices are Ex-works Faridabad. For detail refer Enclosure Selling Terms & Conditions.
*GST to be charged extra



Enclosure Systems BCH

Techno Modular Enclosures

HSN Code : 8538

Size of Enclosure (W x H x D in mm)	Cat. No.	Enclosure Version*				Plinth		Side Covers (Pair)	
		Ver 001 LP [₹]	Ver 002 LP [₹]	Ver 003 LP [₹]	Ver 004 LP [₹]	Cat. No.	List Price [₹]	Cat. No.	List Price [₹]
600 x 1800 x 400	TME 061804	26715	29760	21220	24495	TPL 061804	2590	TSC 061804	5175
800 x 1800 x 400	TME 081804	31920	35025	24260	28050	TPL 081804	2955	TSC 081804	5175
1000 x 1800 x 400	TME 101804	43930	47345	34065	37260	TPL 101804	3315	TSC 101804	5175
1200 x 1800 x 400	TME 121804	49355	55140	38300	42450	TPL 121804	3635	TSC 121804	5175
600 x 1800 x 500	TME 061805	27910	30725	22640	25455	TPL 061805	2775	TSC 061805	6010
800 x 1800 x 500	TME 081805	32495	36590	25980	29090	TPL 081805	3125	TSC 081805	6010
1000 x 1800 x 500	TME 101805	45120	48535	35550	39190	TPL 101805	3480	TSC 101805	6010
1200 x 1800 x 500	TME 121805	50310	57155	40295	45275	TPL 121805	3790	TSC 121805	6010
800 x 1800 x 600	TME 081806	34650	36375	28205	30875	TPL 081806	3260	TSC 081806	6685
600 x 2000 x 400	TME 062004	28800	32360	22115	26280	TPL 062004	2590	TSC 062004	5565
800 x 2000 x 400	TME 082004	33515	36815	25610	29075	TPL 082004	2955	TSC 082004	5565
1000 x 2000 x 400	TME 102004	48010	50685	37330	39920	TPL 102004	3315	TSC 102004	5565
1200 x 2000 x 400	TME 122004	51575	57000	41265	46765	TPL 122004	3635	TSC 122004	5565
600 x 2000 x 500	TME 062005	30570	33100	25085	28355	TPL 062005	2775	TSC 062005	6535
800 x 2000 x 500	TME 082005	34295	37855	26425	30135	TPL 082005	3125	TSC 082005	6535
1000 x 2000 x 500	TME 102005	47495	53140	37855	42005	TPL 102005	3480	TSC 102005	6535
1200 x 2000 x 500	TME 122005	51935	57155	40820	45275	TPL 122005	3790	TSC 122005	6535
600 x 2000 x 600	TME 062006	31015	34065	26565	29620	TPL 062006	2925	TSC 062006	7270
800 x 2000 x 600	TME 082006	35475	38665	28490	31685	TPL 082006	3260	TSC 082006	7270
1000 x 2000 x 600	TME 102006	48245	55360	38440	44815	TPL 102006	3610	TSC 102006	7270
1200 x 2000 x 600	TME 122006	52960	58705	42885	48385	TPL 122006	3945	TSC 122006	7270
600 x 2000 x 800	TME 062008	31920	34295	26645	29975	TPL 062008	3260	TSC 062008	9350
800 x 2000 x 800	TME 082008	36955	39700	30200	33070	TPL 082008	3610	TSC 082008	9350
1000 x 2000 x 800	TME 102008	52960	56475	40820	45275	TPL 102008	3895	TSC 102008	9350
1200 x 2000 x 800	TME 122008	55670	61740	45725	50310	TPL 122008	4290	TSC 122008	9350
600 x 2200 x 600	TME 062206	34960	38300	27760	32945	TPL 062206	2925	TSC 062206	8425
800 x 2200 x 600	TME 082206	39560	42155	31835	35105	TPL 082206	3260	TSC 082206	8425
1000 x 2200 x 600	TME 102206	54770	58990	45005	49230	TPL 102206	3610	TSC 102206	8425
1200 x 2200 x 600	TME 122206	56915	63530	44240	49425	TPL 122206	3945	TSC 122206	8425
600 x 2200 x 800	TME 062208	38120	41350	29245	33765	TPL 062208	3260	TSC 062208	10945
800 x 2200 x 800	TME 082208	46010	48690	35335	38440	TPL 082208	3610	TSC 082208	10945
1000 x 2200 x 800	TME 102208	58325	62845	47345	50915	TPL 102208	3895	TSC 102208	10945
1200 x 2200 x 800	TME 122208	63085	66635	51655	55140	TPL 122208	4290	TSC 122208	10945

*Baying kit (BIL-14280) Rs. 1750/- is also available for Enclosure Version. For extra accessories, please contact nearest branch office.

MOQ-Minimum order quantity in nos.

Note : Cutout charges will be extra

Freight charges will be extra at actuals

*List Prices are Ex-works Faridabad. For detail refer Enclosure Selling Terms & Conditions.

***GST to be charged extra**



a strong commitment
to serve better
always ...



Switchgear | Controlgear | Enclosures | Motor Starters & Submersible Pump Starters |
Brakes and Crane Controls | MCC | PCC | Customised Solutions | Automation |
Wires & Cables | Motors | Reactive Power Management



BCH
ELECTRIC
LIMITED



Dealer's and Stockist of :



**All Electrical needs under one Roof
Everything in Electrical Goods**

BHOSARI BRANCH

Shop -10, Jay Tulja Bhavani Complex,
Plot No. BG 74A, Opp. Century Enka,
Telco Road, MIDC Bhosari, Pune - 411026.
E-mail : reliablepune26@gmail.com

HEAD OFFICE

251-A/3B, 2ndFloor,
Mangaldas Building, Luhar Chawl,
Mangaldas Road, Mumbai - 400 002.
Tel. : 022-40060261

CHAKAN BRANCH

Plot No.A-15, Phase-II,
MIDC Chakan Industrial area,
Near Hyundai, Sawardhari, Taluka Khed,
Dist. Pune-410501.
E-mail : info@reliablepune.com

CUSTOMER CARE :

+91 020 27110099
customercare@reliablepune.com